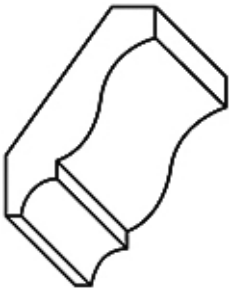
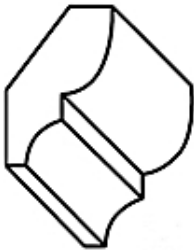
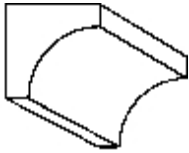
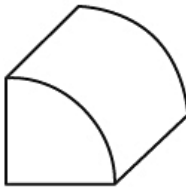

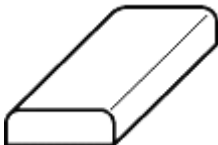
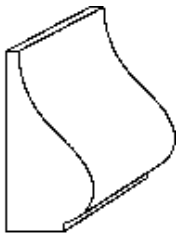
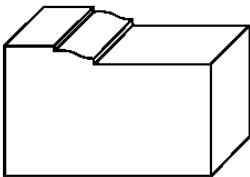
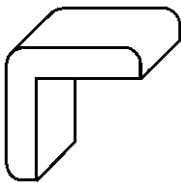
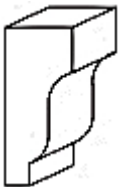
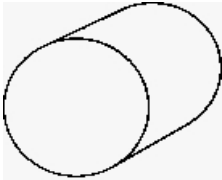
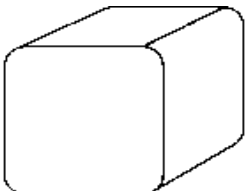
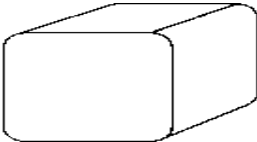

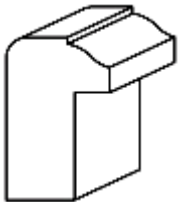




Clear Pine Mouldings

Crown Mould	Bed Mould	Cove Mould	Quarter Round	Base Shoe
				
LWM49, WM53	WM74	WM100	WM103, WM106, WM109	WM127

Screen Mould	Base Cap	Brick Mould	Corner Mould	Panel Mould
				
WM142	LWM166	WM180	WM205, WM206	WM210

Full Round	S4S	Screen Stock	Lattice	Back Band
				
LWM233	LWM236	WM249	WM266	WM281






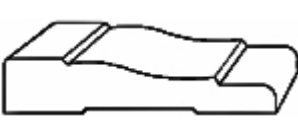

Chair Rail	Backer
	
LWM297	LWM304




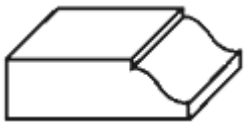
Note: Not to scale
Pricing - Page 3


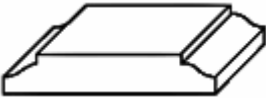



Effective 01/28/11
Cancels 01/27/10

Clear Pine Mouldings

Casing			
			
WM329	LWM351, WM351	WM356	WM366
			
WM376	WM444	WM445	

Base		Stop	
			
WM618, WM620, WM623	WM710, WM713	WM846	WM935, WM936, WM940

Mullion		Stool
		
WM972	LWM987, WM987	WM1164

**Note: Not to scale
Pricing - Page 3**

MLDA

Lengths 8' to 16', except as specified



Effective 01/28/11
Cancels 01/27/10

Clear Pine Mouldings

MDLA

Pattern	Item #	Type	Dimensions	Pieces/ Bundle	List Price
LWM49	49AP	Crown Mould	9/16" x 3-5/8"	10	123.70
WM53	53AP	Crown Mould	9/16" x 2-5/8"	12	90.48
WM74	74AP	Bed Mould	9/16" x 1-3/4"	20	63.14
WM100	100AP	Cove Mould 8' or 16'	11/16" x 11/16"	40	29.50
WM103	103AP	Quarter Round	1-1/16" x 1-1/16"	20	83.60
WM106	106AP	Quarter Round	11/16" x 11/16"	40	28.54
WM109	109AP	Quarter Round	3/8" x 3/8"	50	16.24
WM127	127AP	Base Shoe	7/16" x 3/4"	50	24.00
WM142	142AP	Screen Mould	1/4" x 3/4"	50	16.06
LWM166	166AP	Base Cap	11/16" x 1-3/8"	25	51.60
WM180	180AP	Brick Mould 7' - 16'	1-1/4" x 2"	8	141.68
WM205	205AP	Corner Mould 8' or 16'	1-1/8" x 1-1/8"	20	82.10
WM206	206AP	Corner Mould 8' or 16'	3/4" x 3/4"	40	32.94
WM210	210AP	Panel Mould	11/16" x 1-5/8"	20	59.72
LWM233	233AP	Full Round	1-1/4"	10	95.42
LWM236	236AP	S4S	1-1/2" x 1-1/2" E4E	6	136.28
WM249	249AP	Screen Stock	11/16" x 1-1/2" EE	15	69.32
WM266	266AP	Lattice	9/32" x 1-5/8"	30	30.20
WM281	281AP	Back Band	11/16" x 1-1/8"	30	54.22
LWM297	297AP	Chair Rail (Williamsburg)	3/4" x 3"	10	105.02
WM302	302AP	Chair Rail	1-1/16" x 2-3/4"	6	194.26
LWM304	304AP	Chair Rail Backer	9/16" x 4-5/8"	8	164.76
WM329	329AP	Casing 7' - 16'	11/16" x 2-1/4"	12	78.94
WM351	351AP	Casing 7' - 16'	11/16" x 2-1/2"	12	87.18
LWM351	351LAP	Casing	11/16" x 3-1/4"	10	111.20
WM356	356AP	Casing 7' - 16'	11/16" x 2-1/4"	10	78.94
WM366	366AP	Casing 7' - 16'	11/16" x 2-1/4"	12	78.94
WM376	376AP	Casing 7' - 16'	11/16" x 2-1/4"	12	78.94
WM444	444AP	Casing	11/16" x 3-1/2"	10	120.96
WM445	445AP	Casing	11/16" x 3-1/4"	10	111.20
WM618	618AP	Base	9/16" x 5-1/4"	8	181.20
WM620	620AP	Base	9/16" x 4-1/4"	8	144.84
WM623	623AP	Base	9/16" x 3-1/4"	10	111.20
WM710	710AP	Base	9/16" x 4-1/4"	8	144.84
WM713	713AP	Base	9/16" x 3-1/4"	10	111.20
WM846	846AP	Stop 7' - 16'	7/16" x 1-3/8"	30	42.56
WM935	935AP	Stop 7' - 16'	7/16" x 1-5/8"	30	49.14
WM936	936AP	Stop 7' - 16'	7/16" x 1-3/8"	30	42.56
WM940	940AP	Stop 7' - 16'	7/16" x 7/8"	50	29.50
WM972	972AP	Mullion	3/8" x 1-1/2"	30	37.74
LWM987	987LAP	Mullion	3/8" x 1-1/2"	30	37.74
WM987	987AP	Mullion	3/8" x 2"	20	48.74
WM1164	1164AP	Stool	1-1/16" x 2-3/4"	6	194.26

Specified lengths - full bundles only, when available: add 30%.

Prices in effect at the time of publication. Prices may change with market fluctuations.

Always check current prices with your sales representative or the office.












Effective 01/28/11

Cancels 01/27/10

XO Cellular PVC Mouldings



Full Crate Pricing









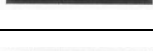


PVC	DESCRIPTION		PIECES/ BAG	BAGS/ CRATE	PIECES/ CRATE	PRICE/ PIECE
180 Brick Mould (Bendable)		MP 1-1/4" x 2" x 17'	8	32	256	\$32.64
*180RG Brick Mould (Rigid)		MP 1-1/4" x 2 x 17'	8	32	256	\$29.58
*197 Drip Cap		MP 11/16" x 1-5/8" x 17'	12	64	768	\$15.82
937 Nosing Sill		MP 1-3/8" x 1-5/16" x 17'	8	48	384	\$30.10
948 Nosing Sill		MP 5" x 1-1/4" x 17'	4	28	112	\$78.54
*164 Base Cap		MP 11/16" x 1-1/8" x 16'	20	45	900	\$9.60
*75 Bed		MP 9/16" x 1-5/8" x 16'	10	70	700	\$14.40
*49 Crown		MP 9/16" x 3-5/8" x 16'	10	31	310	\$30.72
*47 Crown		MP 9/16" x 4-5/8" x 16'	11	24	264	\$40.80

*Stock items sold as bags or crates. All others - full crates only.

XO Cellular PVC Mouldings



Full Crate Pricing

PVC	DESCRIPTION		PIECES/ BAG	BAGS/ CRATE	PIECES/ CRATE	PRICE/ PIECE
053 Rake		MP 3/4" x 3" x 16'	8	44	352	\$30.72
680 Casing		MP 1-1/4" x 3-1/4" x 17'	4	41	164	\$73.44
*287 Rake		MP 1-1/16" x 2" x 16'	10	42	420	\$30.72
*210 Shingle/ Panel		MP 11/16" x 1-5/8" x 16'	10	66	660	\$15.36
626 Casing		MP 13/16" x 4-1/2" x 17'	6	24	144	\$62.22
356 Casing		MP 11/16" x 2-1/4" x 16'	10	45	450	\$24.96
802 Mullion		MP 11/16" x 15/32" x 17'	10	36	360	\$30.10
5175 Stop		MP 5/8" x 1-3/4" x 17'	26	20	520	\$26.02
5138 Mull		MP 5/8" x 1-3/8" x 17'	20	36	720	\$21.94
251 Stop		MP 3/4" x 1-3/8" x 17'	14	42	588	\$25.00
L236 Baluster		MP 1-1/2" x 1-1/2" x 16'	8	36	288	\$38.40

*Stock items sold as bags or crates. All others - full crates only.














Effective 04/01/11

Cancels 10/01/08

XO Cellular PVC Mouldings



Full Crate Pricing

PVC	DESCRIPTION		PIECES/ BAG	BAGS/ CRATE	PIECES/ CRATE	PRICE/ PIECE
181 Flange Brick Mould		MP 1" x 3" x 17'	8	26	208	\$43.36
350 Attic Vent Louver		MP 1-1/4" x 3-1/2" x 17'	8	31	248	\$39.28
636 Casing		MP 1-3/8" x 4-1/2" x 17'	4	32	128	\$70.38
444 Casing		MP 11/16" x 3-1/4" x 16'	10	30	300	\$39.84
445 Casing		MP 11/16" x 3-1/2" x 16'	10	30	300	\$38.40
503 RB3 Casing		MP 1' x 3-1/2" x 16'	8	28	224	\$43.20
L45 Crown Mullion		MP 9/16" x 5-1/2" x 16'	8	27	216	\$52.80
B175 Bevel Stop		MP 5/8" x 1-3/4" x 17'	20	26	520	\$26.02
848 Double Hung Sill		MP 1-3/4" x 4-3/4" x 17'	4	30	120	\$76.00
4575 Transom Frame		MP 1" x 4-1/2" x 17'	4	35	140	\$71.40
4020 Back Band		MP 1-1/3" x 1-7/16" x 17'	8	49	392	\$35.20

*Stock items sold as bags or crates. All others - full crates only.





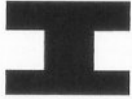
Effective 04/01/11

Cancels 10/01/08

XO Cellular PVC Mouldings



Full Crate Pricing

PVC	DESCRIPTION		PIECES/ BAG	BAGS/ CRATE	PIECES/ CRATE	PRICE/ PIECE
625 Stop		MP 5/8" x 5/8" x 17'	30	54	1620	\$12.76
*107 Quarter Round		MP 9/16" x 9/16" x 17'	30	45	1350	\$8.16
5118 Blindstop		MP 5/8" x 1-1/4" x 17'	22	35	770	\$18.36
133 Astragal		MP 11/16" x 1-3/4" x 17'	10	63	630	\$18.88
737 Transom Nose Sill		MP 1-5/8" x 1-1/2" x 17'	8	39	312	\$43.36
837 Sill Nosing		MP 1-3/32" x 1-3/4" x 17'	8	43	344	\$39.28
643 Stile		MP 1-3/8" x 2" x 17'	8	27	216	\$46.92
1220 Stop		MP 1/2" x 2" x 17'	12	54	648	\$22.96
*L269 Lattice		MP 1/4" x 1-1/2" x 16'	20	80	1600	\$11.04

*Stock items sold as bags or crates. All others - full crates only.

XO Cellular PVC Boards

Mother Nature couldn't make the improvements needed to wood, so XO did it for her. New XO[®] Cellular PVC Board is the high-quality wood replacement remedy offering multiple benefits for builders, designers, and homeowners. The superior exterior solution, XO can be used for trim boards, fascia, corner boards, bead boards, columns and more. With XO, you enjoy all the advantages of wood – but with a tougher skin that makes it even better and more durable.



Full Pallet Pricing

	Trimboard	Pieces/ Pallet	Price/ Piece	Sheet Stock	Pieces/ Pallet	Price/ Sheet
3/8" THICKNESS	3-1/2" x 18'	352	\$ 15.42	4' x 10'	32	\$165.00
	5-1/2" x 18'	224	\$ 24.50			
	7-1/4" x 18'	192	\$ 31.76			
	9-1/4" x 18'	128	\$ 39.92			
	11-1/4" x 18'	128	\$ 49.50			
5/8" THICKNESS	3-1/2" x 18'	209	\$ 27.22	4' x 8'	19	\$183.18
	5-1/2" x 18'	133	\$ 41.74	4' x 10'	19	\$228.96
	7-1/4" x 18'	114	\$ 54.44	4' x 18'	19	\$412.14
	9-1/4" x 18'	76	\$ 69.40			
	11-1/4" x 18'	76	\$ 85.28			
3/4" THICKNESS	3-1/2" x 18'	176	\$ 31.76	4' x 10'	16	\$291.00
	5-1/2" x 18'	112	\$ 51.72			
	7-1/4" x 18'	96	\$ 67.14			
	9-1/4" x 18'	64	\$ 85.28			
	11-1/4" x 18'	64	\$104.32			
1" THICKNESS	3-1/2" x 18'	132	\$ 44.46	4' x 10'	12	\$390.00
	5-1/2" x 18'	84	\$ 67.14			
	7-1/4" x 18'	72	\$ 91.62			
	9-1/4" x 18'	48	\$117.02			
	11-1/4" x 18'	48	\$141.52			

Corner Boards	Pieces/ Pallet	Price/ Piece
3-1/2" x 10'	66	\$ 55.36
3-1/2" x 20'	66	\$110.72
5-1/2" x 10'	28	\$ 94.78
5-1/2" x 20'	28	\$189.56



Effective 04/01/11

Cancels 10/01/08