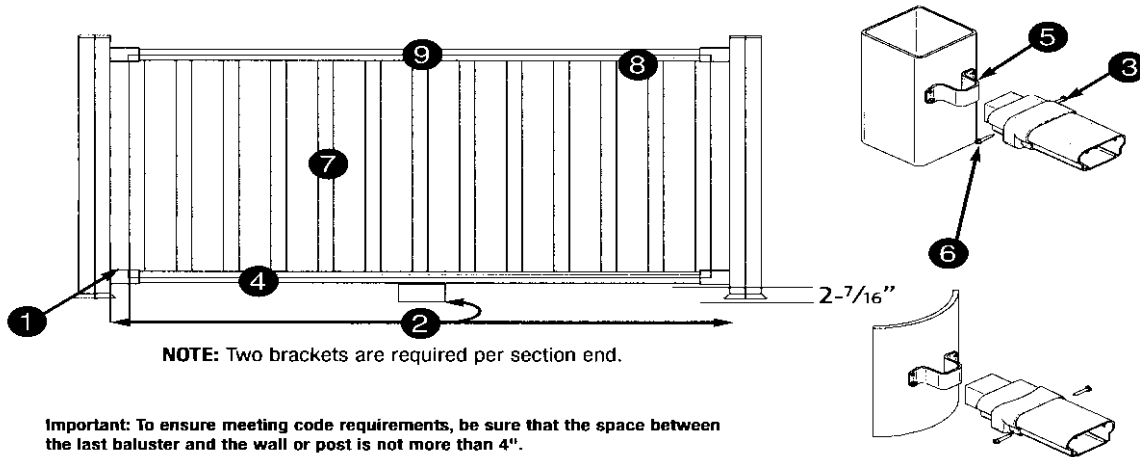


Certainteed EverNew Vinyl Railing

RAIL

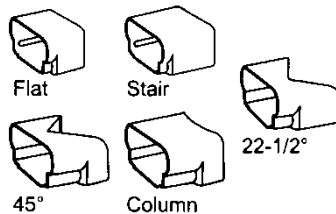


Kingston Railing is listed with the ICC-ES and meets ICC building code standards.

Kingston Railing System - Boxed Sections

- Includes top and bottom rails, balusters, and mounting brackets
- Stocked in white. Almond and clay available by special order.

Manufacturer #	Flat Sections	Stock #	List
E285006	6', 1-1/2" x 1-1/2" x 33-1/4" Square Baluster	6FLAT	118.60
E285008	8', 1-1/2" x 1-1/2" x 33-1/4" Square Baluster	8FLAT	156.32
E285010	10', 1-1/2" x 1-1/2" x 33-1/4" Square Baluster	10FLAT	196.56
	Stair Sections		
E286006	6', 1-1/2" x 1-1/2" x 32-1/2" Square Baluster	6FLATST	119.04
E286008	8', 1-1/2" x 1-1/2" x 32-1/2" Square Baluster	8FLATST	154.47



Kingston Railing System - Bracket Kits

- Includes aluminum brackets, vinyl trim covers, crush block and hardware
- Extra brackets required for special applications, or when rail sections are cut into 2 or more smaller sections

Manufacturer #	Application	Brackets/Kit	Stock #	List
E704132	Flat	4	FLATKIT	12.71
E704146	Stair (field cut)	4	STAIRKIT	12.71
E704147	Column (minimum 8" round)	2	COLKIT	8.26
E704145	45°	4	45KIT	18.82
E704143	22-1/2°	4	2212KIT	17.29



Effective 04/01/11

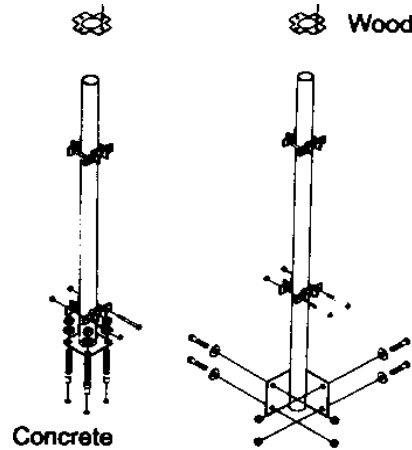
Cancels 10/01/08

EverNew Posts & Accessories

RAIL


Porch Post Covers

Manufacturer #	Size	Stock #	List
E649538	4" x 4" x 38"	POST38	17.56
E649548	4" x 4" x 48"	POST48	23.30
E6495107	4" x 4" x 107"	POST107	37.83



Metal Pipe Post Supports

Manufacturer #	Application	Stock #	List
E71450	Flat section - concrete	71450	62.25
E71452	Stair section - concrete	71452	62.25
E71455	Flat section - wood	71455	62.25
E71457	Stair section - wood	71457	62.25

Flat Int. 

Decorative Post Trim 

Flat Ext. 

Base Trim Cover
2 Piece 

New England 

Finishing Accessories

Manufacturer #	Description	Stock #	List
E70411	Flat Cap – Internal – 4" x 4"	CAPIN	1.66
E70414	Flat Cap – External – 4" x 4"	CAPEXT	3.40
E70426	New England Cap – External – 4" x 4"	CAPNE	6.56
E70483	New England Decorative Post Trim – 4" x 4"	TRIMNE	3.12
E70484	New England Decorative Post Trim – 5" x 5"	TRIMDEC	3.90
E70401	Post Base Trim Cover – 2 Piece – 4" x 4"	BASE2	2.88

Certainteed Panorama Composite Railing

RAIL

Clearance

Limited to inventory on hand



Panorama Railing System - Boxed Sections

Size	Stock #	List
6' x 36" Flat	PAN636F	164.66
8' x 36" Flat	PAN836F	223.29
6' x 42" Flat	PAN642F	176.18

Boxed Sections Include:

- 1 Top Rail
- 2 Universal Rails (pre-drilled)
- Square Balusters (28" long)
- 1 Crush Block (for flat sections)
- 1 Master Hardware Pack
 - 4 Top Rail Screws (#8 x 2-1/2" White)
 - 36 Baluster Screws (#8 x 2-1/2" Stainless)
 - 4 Rail Brackets, 4 Bracket Hex Lags
 - 10 Bracket & Crush Block Screws (#10 x 3/4")
- Installation Instructions

All other Panorama components are special order



Effective 04/01/11

Cancels 10/01/08